

## Design Criterion

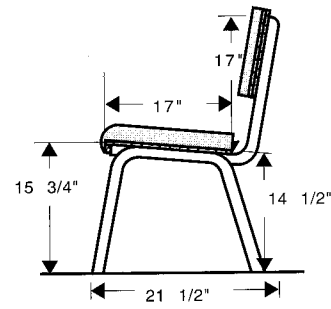
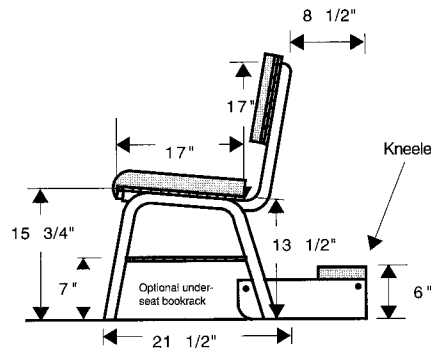
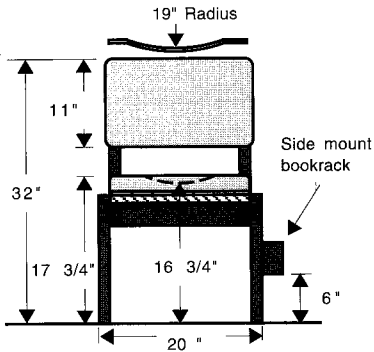
The #8100 "Classic" chair is designed for an elegant look at an affordable price using plybent wood as its structural frame. The wide range of options and colors give the "Classic" a near custom made quality. Features include exposed Red Oak in a molded-plywood shape. Back height can be 11" or a full 17" depending on the design preference. Seat can be a barrel or cascade shape. Other options include arms, kneelers, underseat or side mount bookracks. Chairs stack for ease of moving.

### Material Specifications

Item	Dimensions	Material	Foam	Fabric	Finish
Backs	5/8 x 11 x 17 1/4	Poplar	1 1/4", 1.4 lb pure, 32 ILD	.40yds	Optional
Seats	1/2 x 16 7/8 x 16 5/8	CD	2", 2.0 lb pure, 45ILD	.34yds	Optional
Legs-back braces	1 1/2 x 1 1/2	2 Plys 1/24 Red Oak Faces 19 plys 1/16 Sycamore cores			As Selected
Crossbraces	3/4 x 2 1/2 x 17	Solid Red Oak, double dowled			As Selected
Hardware	T-Nuts 10/32	Screws #10SMS, plated			Antique Bronze
Finish		Bartop lacquer by Superior Coatings			10 stain colors
Freight class	125 & 175	Carton weight 22 lbs			

### Options & Dimensions

Scale 1/2" = 12"



**Relaxed Standards**

**Alert Standards**



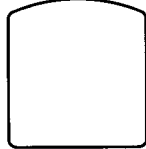
A



C



B



E

**Back Styles**



#1 Barrel

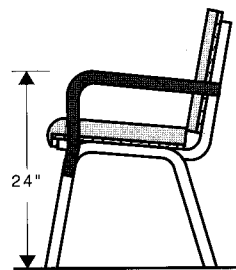


#0 Rollover

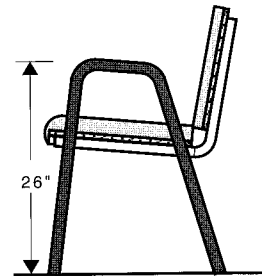


#5 Cascade

**Seat Shapes**

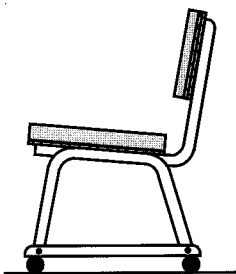


#4

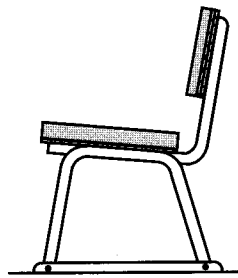


#5

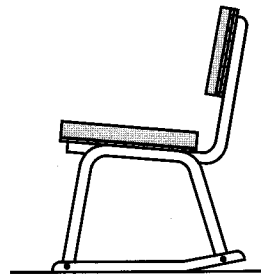
**Arms**



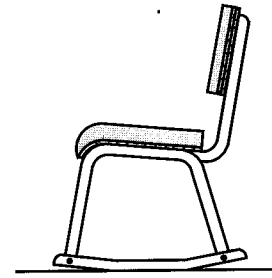
#4 Caster



#1 Sled



#2 Two Stage



#3 Three Stage

**Bases**

**Chancellor Mfg., Inc.**

1406 N. I-35, P.O. Box 1457, Gainesville, TX 76240 Web Site: gochairs.com  
940/665-6014 Fax: 940/665-6019 email: chancellor@cooke.net

© 1998

